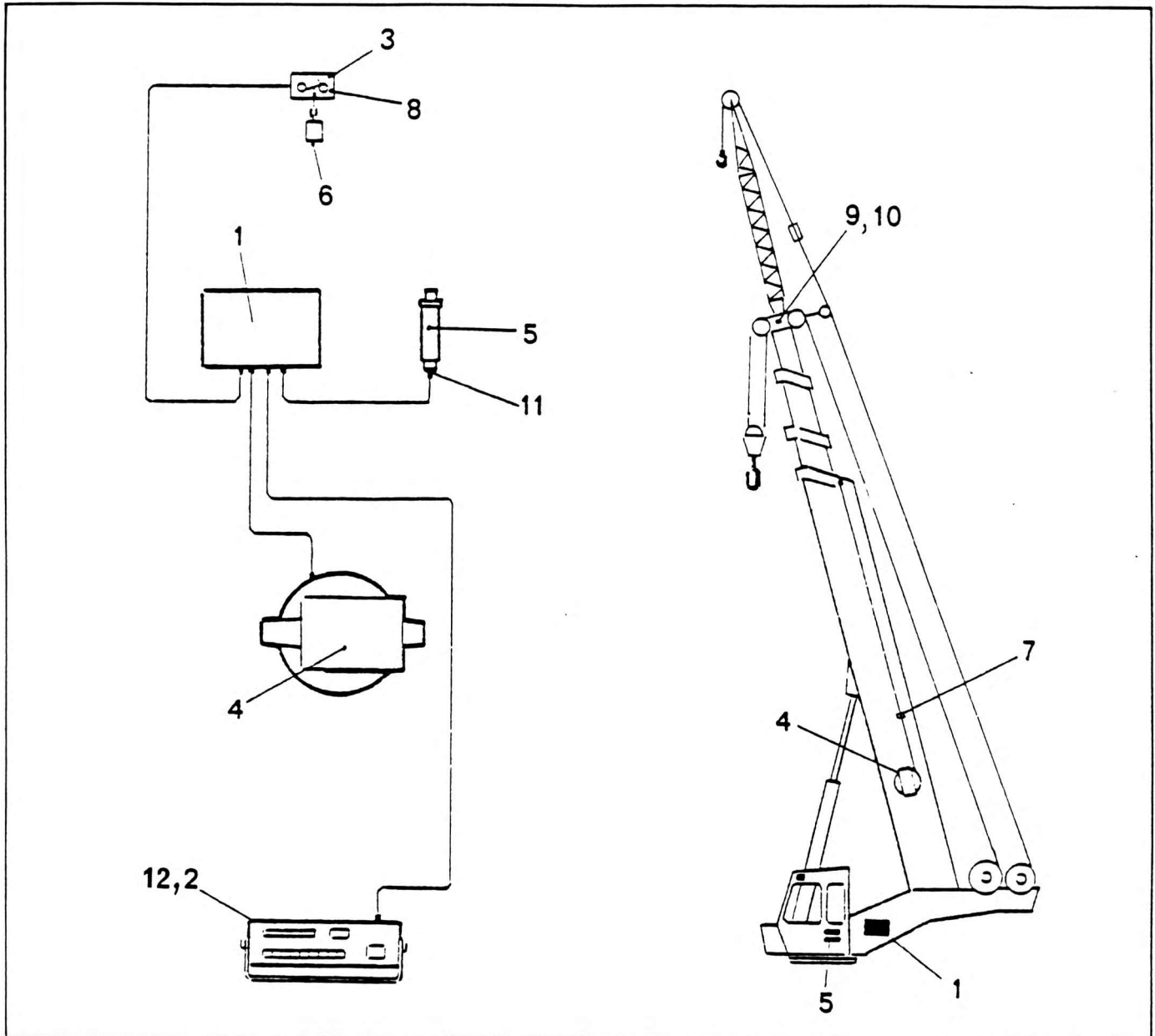


SLI KIT ASSEMBLY - PAT 350 GW



NO.	PART NO.	QTY.	DESCRIPTION	NO.	PART NO.	QTY.	DESCRIPTION
-	7-576-990388	1	Kit Assy Complete				
1 +	7-352-990098	1	Central Unit 24v				
2 +	7-679-990190	1	Operators Console				
3	7-872-990173	1	Switch				
4 +	7-400-990025	1	Length/Angle Sensor				
5	7-356-990021	2	Pressure Transducer				
6	7-962-990007	1	Weight				
7	8807100	1	Roller Guide				
8	7-689-990093	1	Pin				
9	7-709-990060	1	Plug				
10	7-892-990120	1	Socket				
11	7-709-990072	3	4 Pin Plug				
12	7-352-990193	1	Controller - Timer				

+ See further breakdown in this group

7-576-990388
Issue No. 00